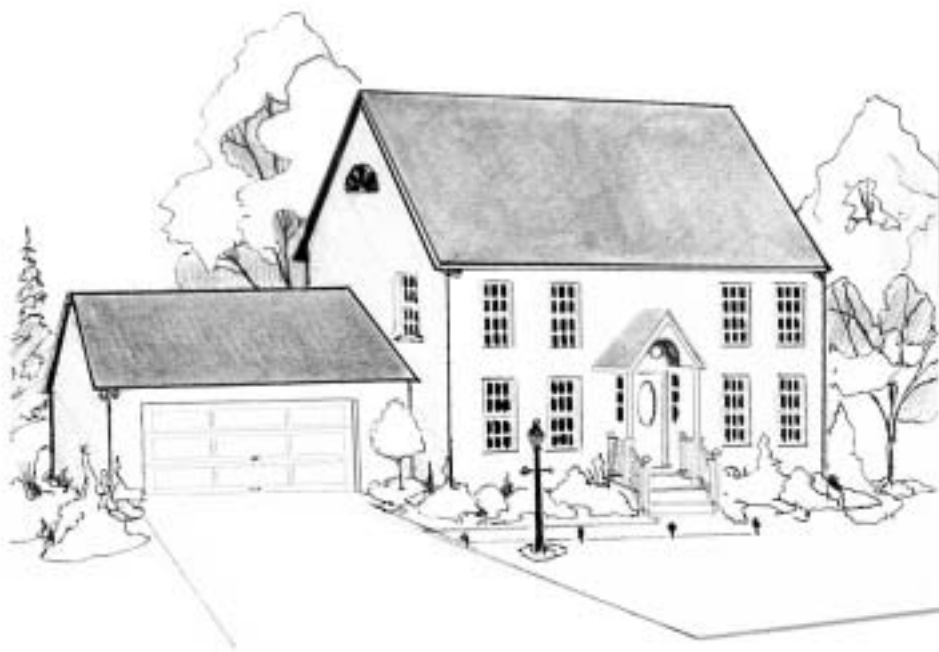


The How To Improve Your Home Security Book



Akron Police Department

Emergency Phone:..... **9-1-1**

Non Emergency:..... (330) 375-2181

General Information:..... (330) 375-2451

HARDEN YOUR TARGET

REDUCE CRIMINAL OPPORTUNITY

Although you can't make your home 100 percent burglar proof, you can take simple precautionary measures to make entry so difficult that a burglar will look elsewhere for an easier target. Burglars don't like to make noise. They don't like to be delayed, and want to avoid risk.

The burglar is an opportunist and it matters little to him if your absence from home is of a short or long duration. He knows the common weak points in home security and knows where to look for valuables.

Here are some simple precautions and procedures you can use to DETER, DELAY, DENY, OR DETECT a burglar.

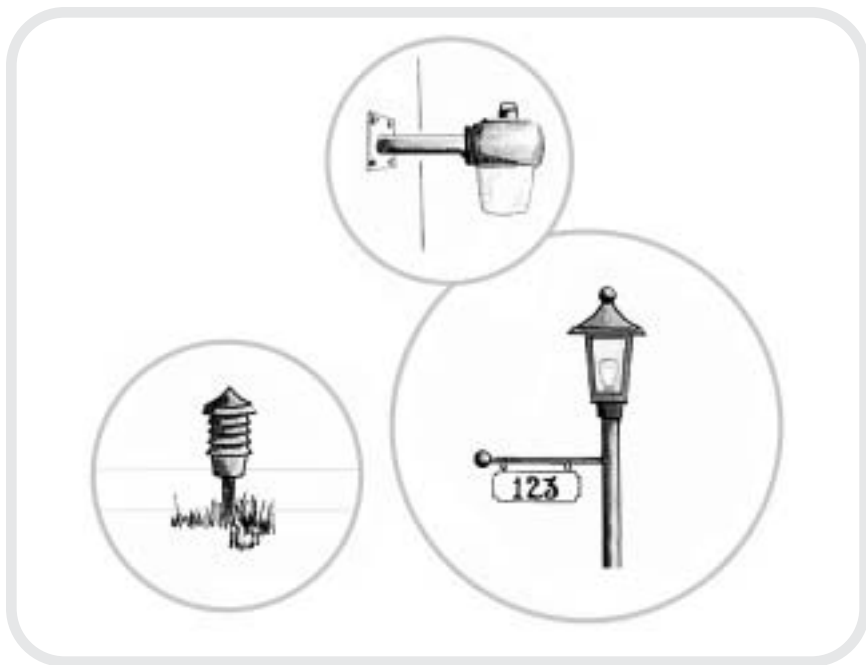
BEGIN WITH THE EXTERIOR

Clean out or cut back shrubbery and trim trees which obstruct a clear view of entrances and windows of your home. Why give a burglar cover and more time to work unobserved.



LIGHTING

The entrances to your home and garage service door should be well lighted, and the lights placed out of reach from ground level. A high pressure sodium lamp is the most efficient type. Inexpensive timers or an electrical photo cell will turn lights on at dusk and turn them off at dawn. Sensor operated spot lights can be an effective crime prevention device.



HOUSE NUMBERS

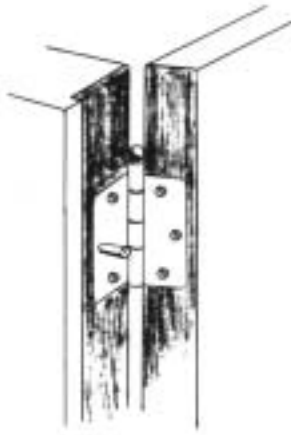
City of Akron Ordinance 98.60 requires that the owner of every permanent building install house numbers at least 3 inches in height and of a contrasting color to the background. The intent of this ordinance is to enable persons reporting suspicious activity to furnish accurate information to the Police Department and allow responding officers to locate the source of the complaint easily.

DOORS

Consider exterior doors as part of your total security system. Remember, all elements of your security system must work together to provide your home maximum security.

For best security, solid core or wood staved doors at least 1-3/4" thick should be installed. There should not be more than 1/8" clearance between the door and its frame. Any more than 1/8" allows for easy access for tools to spread the frame.

The door should be equipped with a 180 degree wide angle viewer. This enables you to see who is at your door without opening it. If you desire a door with a window in it, the glass should be located at least 40" from the lock to prevent breaking the glass and reaching in to unlock the door. **INSTALL A DOOR JAMMER.** It will permit you to open the door in safety. It can't be forced open, picked or jammed.

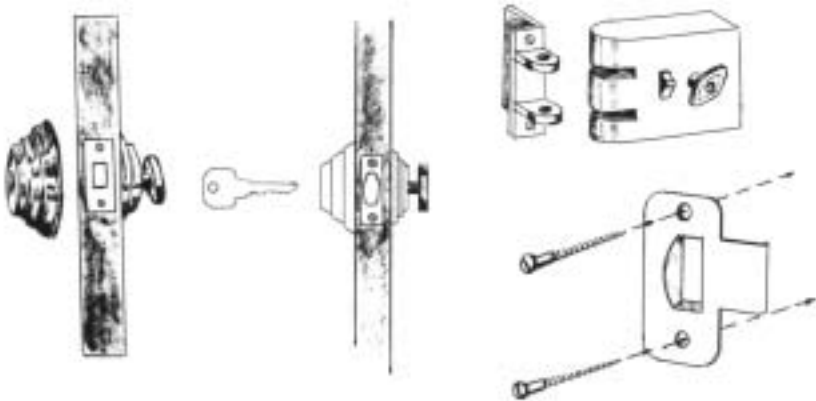


HINGES

Most door hinges are located inside, safe from attack. If the hinges are located outside, the hinge pins could easily be removed and the door removed from its frame. To remedy this, replace existing hinges with non-removable pin hinges or modify existing hinges by removing the middle screw on each hinge plate, top and bottom, and inserting a headless screw or metal pin into one side. When the door closes, the exposed pin will fit into the opposite hole and will bolt the door to its frame.

LOCKS

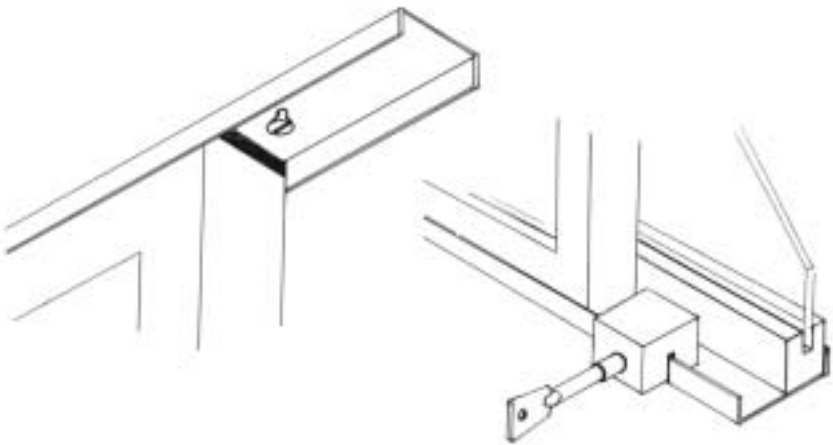
Most homes were built with economy in mind, not security. Many have inexpensive key-in-knob type locks which offer very little security. They're easy to open with a credit card or screwdriver and won't resist a good kick.



The locking mechanism is a system consisting of the lock, the bolt, or throw, and the strike plate. For best security, single cylinder, thumb latch dead bolt lock is recommended.

Make sure the lock has the following features:

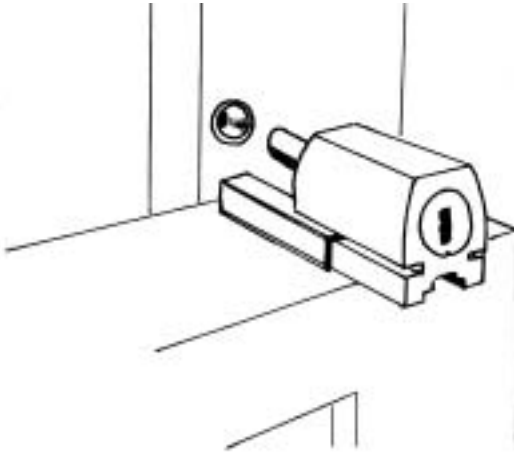
- A bolt or throw that extends at least one inch from the edge of the door.
- Connecting screws which hold the lock together are inside the door.
- The strike plate is anchored to the door frame with three inch long screws.
- In addition, a reinforcing sleeve can be added to the door to increase the quality of the locking device.



SLIDING PATIO DOORS AND WINDOWS

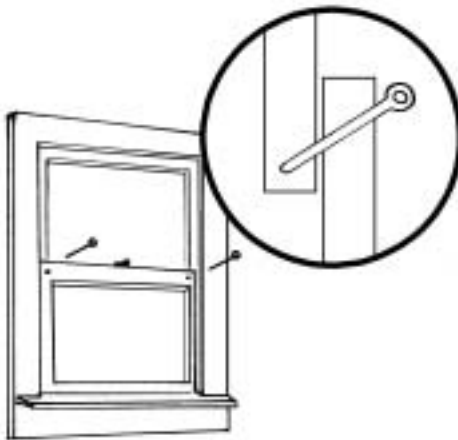
The sliding patio door or window is probably the easiest point of entry to a home. However, there are a few simple, inexpensive methods to aid the security of these doors and windows that you can install.

- Reduce the vertical clearance between the door and the track.
- Anti slide bolt
- Locking bar for sliding door track or track lock
- Purchase keyed locking devices



WINDOWS

Special key locks for all types of windows can be purchased at reasonable prices. These locks require keys and pose a hazard in case of emergency exit. Everyone in the household must know where the key is located, but it should not be kept near the window.

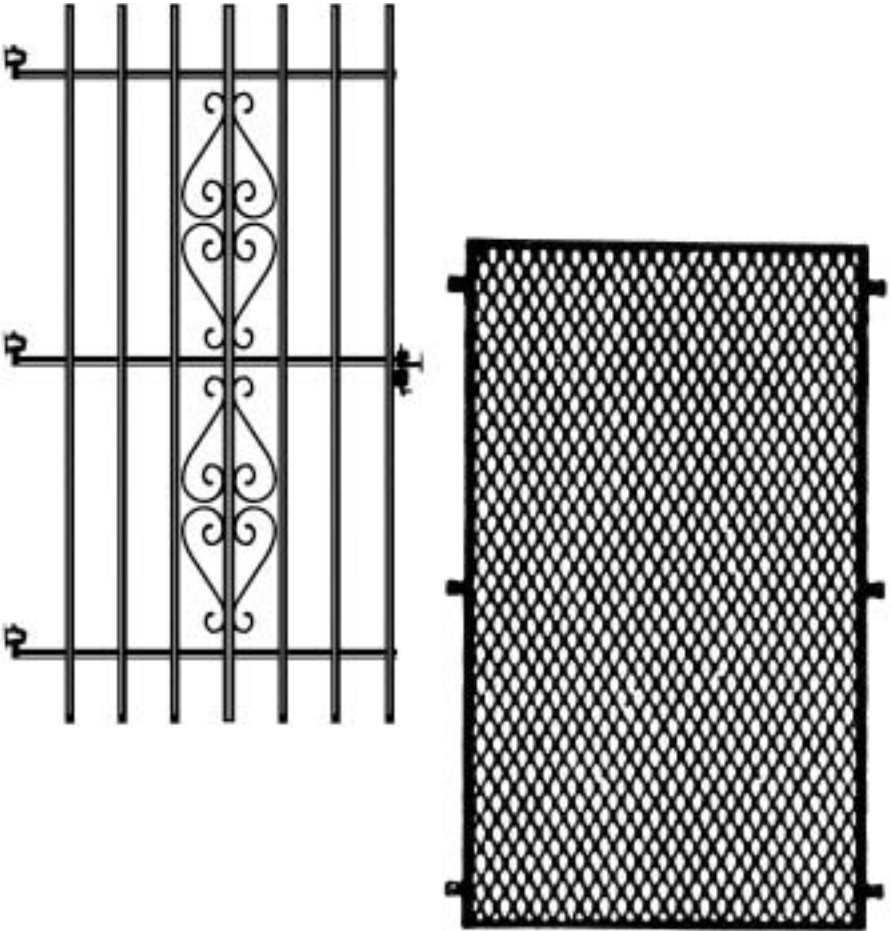


Double hung windows can be secured by pinning. This can be easily done by drilling an angled hole through the top frame of the lower window partially into the frame of the upper window. Eye bolts or nails can be inserted into the holes.

For the purpose of providing ventilation, a second set of holes can be drilled into the upper window frames at a height that will not allow entry. We recommend no more than four inches.

ESPECIALLY VULNERABLE STREET LEVEL WINDOWS

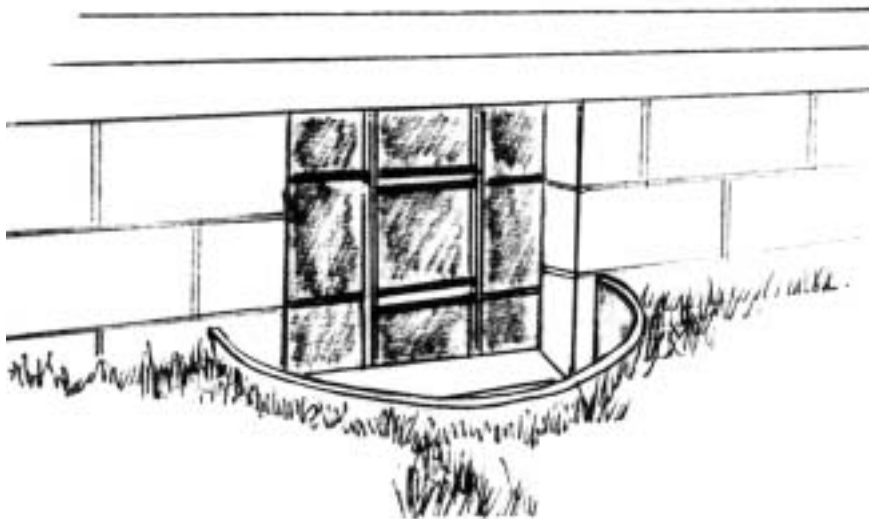
Grating or grills may be installed, but make sure they are equipped with a quick release feature for emergency exits.



LOUVERED OR JALOUSE WINDOWS

The individual glass panes in these windows are easily removed from the outside. There are several options available to deal with these type windows.

- Remove and install another type window that provides more security.
- Install ornamental bars or security screening.



BASEMENT WINDOWS

Another favorite point of attack for the burglar is the basement window. We recommend hinged security bars that can be opened in case of emergency.

WINDOWS WITH EXTERIOR AIR CONDITIONERS

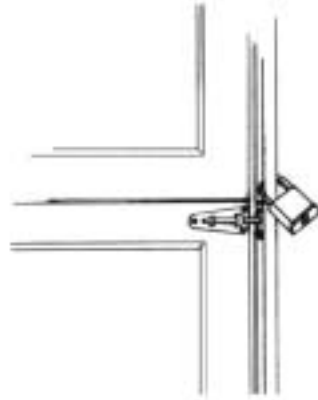
It is recommended that ornamental steel bars be installed to fit around the air conditioning unit. This protects the unit and prevents entry.

GARAGES

Today, an average garage contains several hundred dollars worth of machinery, snow throwers, power lawn mowers, and electrical garden tools besides a vehicle or two. Better security precautions must be installed to safeguard the contents.

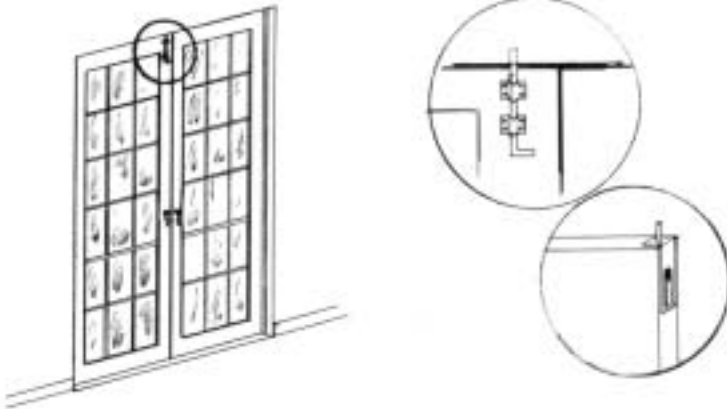
SERVICE DOOR

The service door should be exposed by light which is controlled from inside the home. The same security precautions recommended for the home doors applies here. Solid wood core door, single cylinder thumb latch dead bolt and good snug fitting door.



All garage doors should be kept locked except when actually going in or out. Most garage doors are constructed of thin plywood or masonite panels. Both can be easily broken into by bodily force, reaching in and unlocking. It is recommended that the door be secured to the track by either of two methods.

- Drill a hole into the track just above a hinge and insert either a heavy duty removable steel pin or use a good padlock. This will prevent up and down movement.
- Drill a hole into the end of the slide bar and insert a good padlock to prevent side or unlocking movement of the slide bar.



DOUBLE OUT SWING DOORS

This door is difficult to secure. They are usually hinged on the outside and expose hinge pins to easy removal. We recommend that heavy duty surface bolts be installed on the inactive leaf of the door. Install hinges with non-removable hinge pins. Install a good case hardened hasp and padlock on the outside.

GARAGE WINDOWS

All garage windows which are not actually opened for ventilation should be secured permanently. The same recommendation for securing residence windows apply to garage windows. Louvered or jalouise windows not being used can be secured by applying glue to each pane at the top and bottom to seal them together. This will make it difficult for a thief to remove the individual panes one by one and gain entry.

ADDITIONAL PREVENTION TIPS

Always make your home appear occupied when you are at home, out for the evening, or on an extended vacation. Always make sure the windows are secured and locks are locked, including the garage. Leave a radio or television set playing.

To insure that lights are on during times of darkness, whether you are at home or away, inexpensive automatic timers or electric photo cells should be installed.

- Never leave notes indicating when you will return home.
- Never leave spare keys under door mats, in mail boxes or over the door frame.

ALARMS

There are many types of alarms. We recommend you decide the cost effectiveness of installing any alarm system, then contact several reputable alarm companies for estimates. When you compare estimates be certain comparable goods, materials and services are given so you may be certain that the lowest estimate is your correct choice. City of Akron Ordinance requires an alarm permit.

PLAN AHEAD WHEN LEAVING FOR VACATION OR EXTENDED ABSENCE

Newspapers, flyers, and a build up of mail are sure signs to a burglar that the home is unoccupied. Arrange with a neighbor to pick up the newspapers, flyers, and mail. Apartment dwellers should also follow this recommendation.

- Have someone mow your lawn or shovel your walk.
- Leave a key with a trusted neighbor or relative. Have them vary the position of the shades and/or drapes.
- Don't publicize your planned absence.
- Contact the Akron Police Department and let them know you will be gone for an extended time and who will have a key if needed in an emergency.

THE CONTENTS OF YOUR HOME

- Don't keep large sums of money in the home.
- Mark your valuables with your Social Security Number, record serial numbers and make an inventory of the items. A second copy should be kept in a secure location outside the home.

ADDITIONAL RECOMMENDATIONS

Join a NEIGHBORHOOD BLOCK WATCH. If one is not established in your neighborhood, start one.

Phone the Akron Police Department, Crime Prevention Unit, (330) 375-2390, we will be happy to assist you.

A FINAL THOUGHT

Although the Akron Police Department recommends procedures for making your home and garage burglar resistant, there is no guarantee your home will not be entered. However, by implementing the recommendations, you will be practicing the 4 D's of crime prevention.

- DETER THE BURGLAR
- DENY THE BURGLAR
- DELAY THE BURGLAR
- DETECT THE BURGLAR

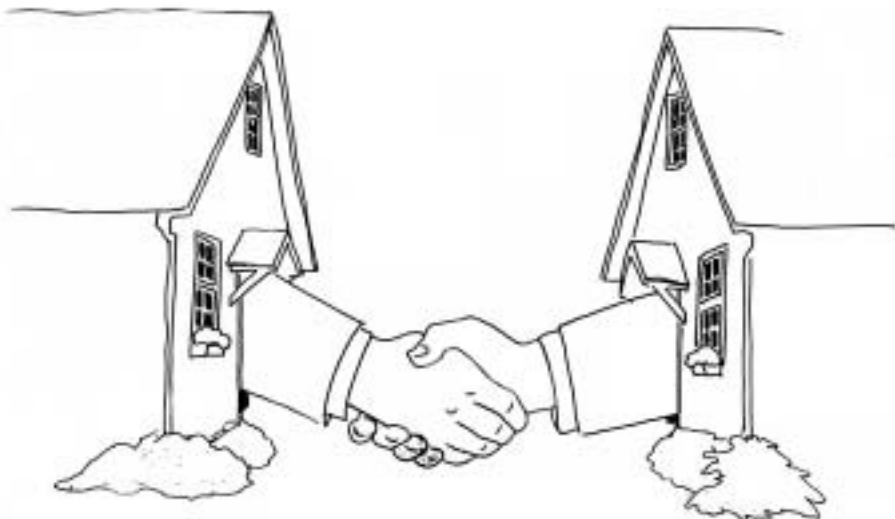
By following them you'll be reducing your risk.

If despite taking these suggested precautions you discover your home has been burglarized, do not enter your home, call the police, 9-1-1 or (330) 375-2552 from a safe location and stay outside of your home until it has been searched and is known to be safe for your entry.

Provide the police with an inventory of items taken.

If police apprehend the burglar, don't hesitate - prosecute!

**For Emergency Police Service
Call 9-1-1**



**Helping Hands
Reduce Crime**



**Crime Prevention Division
Call: (330) 375-2390**

Web Site: www.ci.akron.oh.us